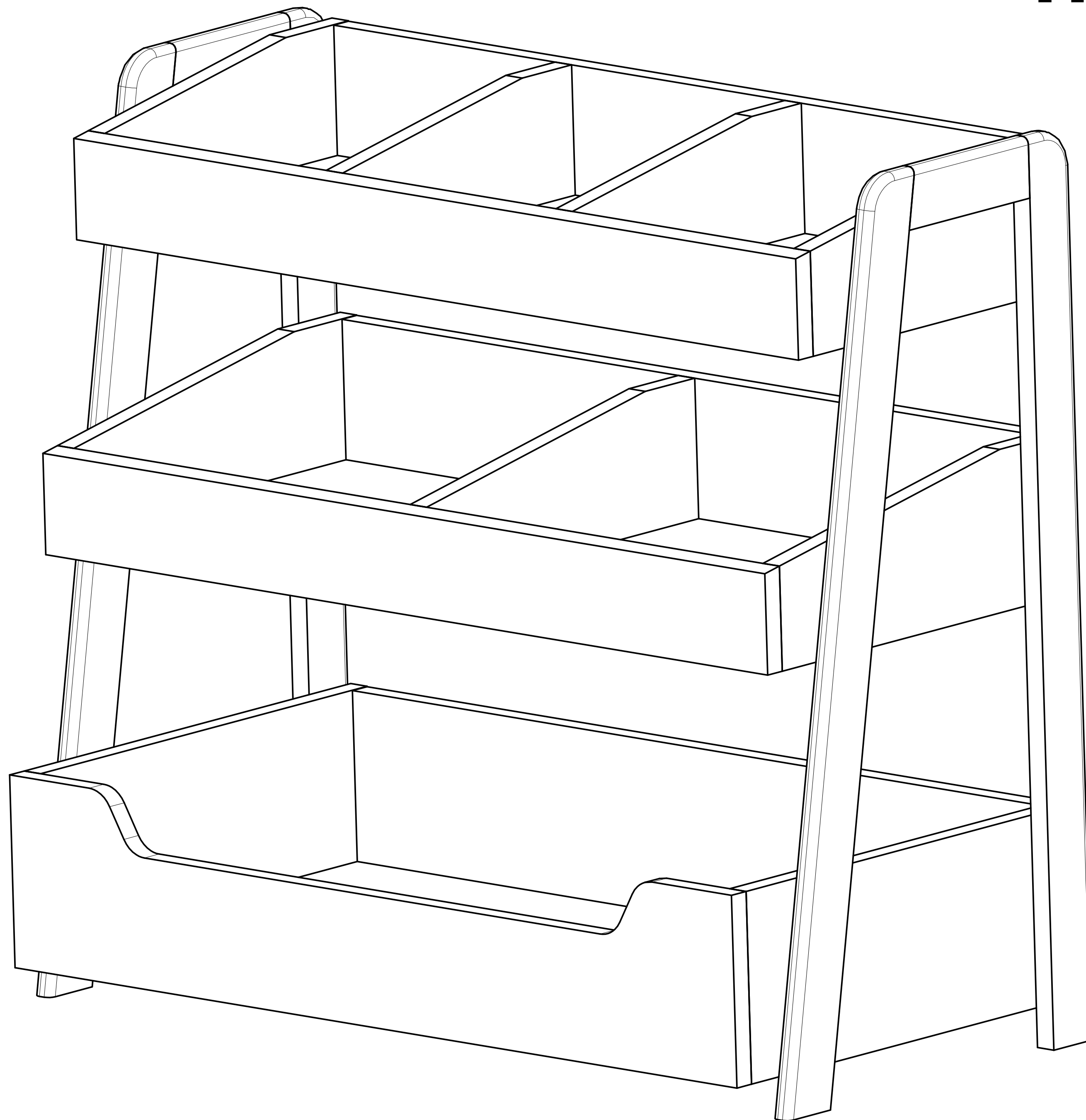
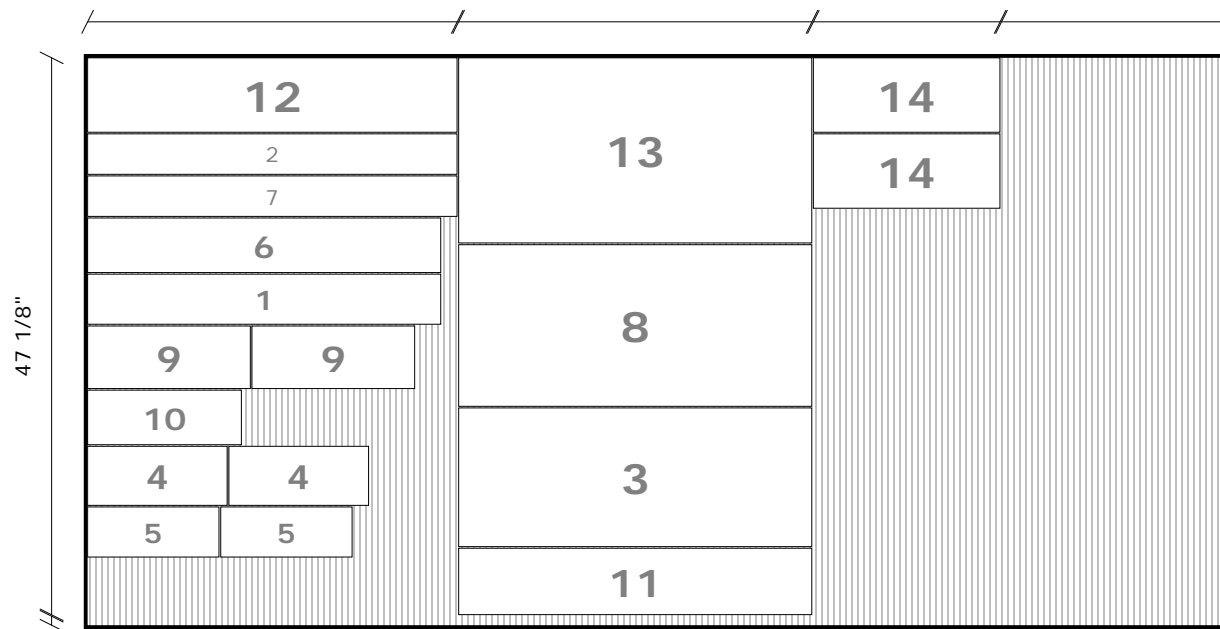


# Three-Tiered Children's Shelf

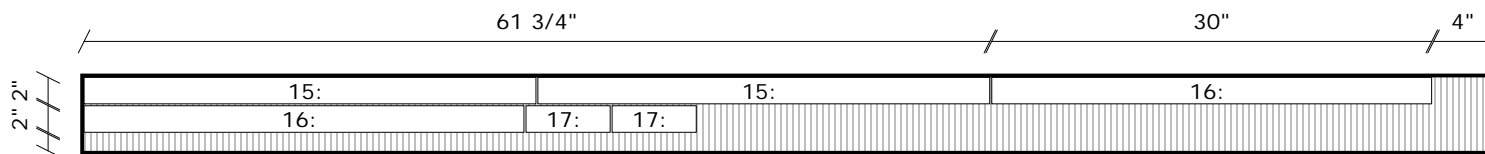


So much more awesome DIY at  
[www.RealityDaydream.com](http://www.RealityDaydream.com)



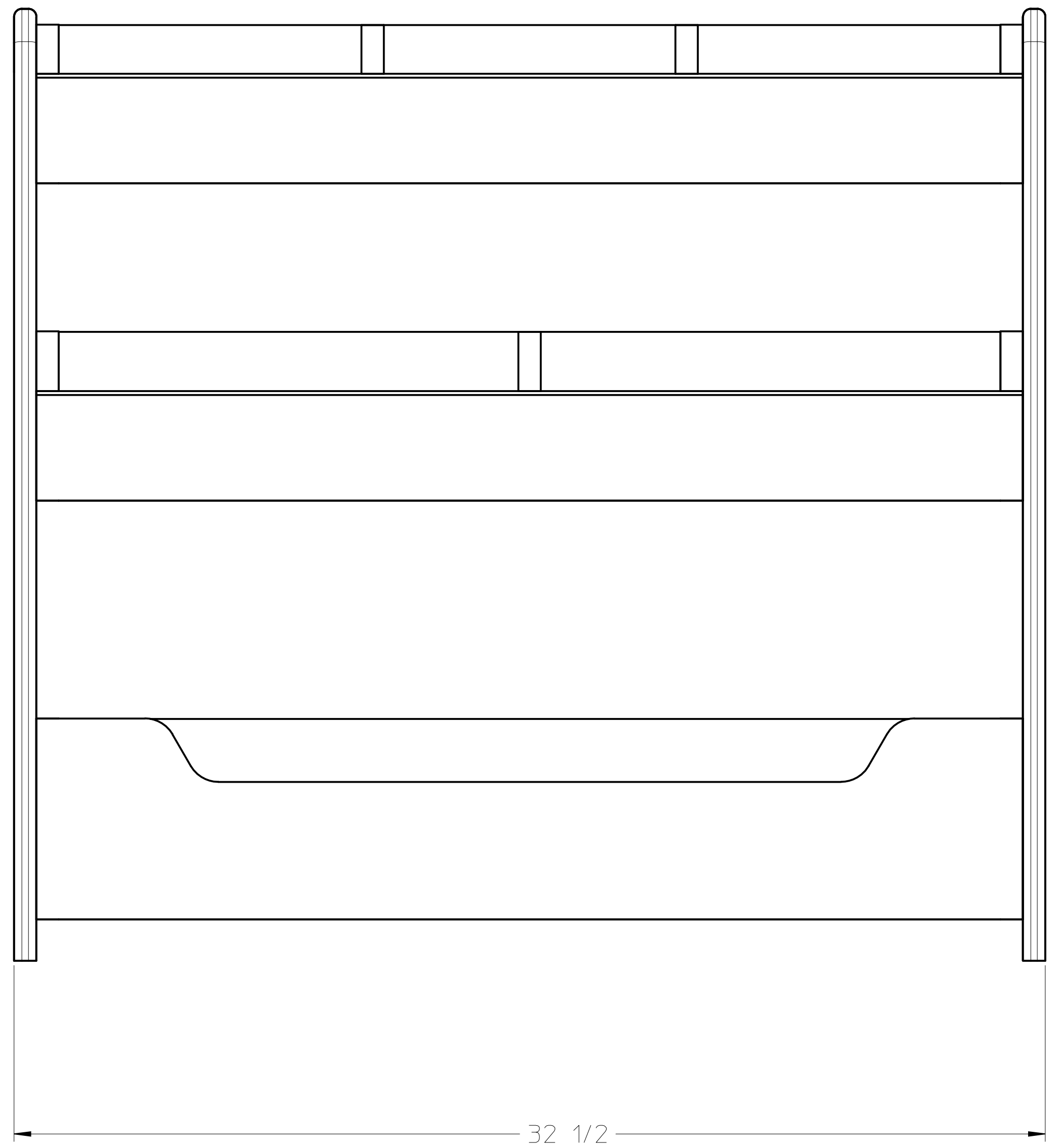
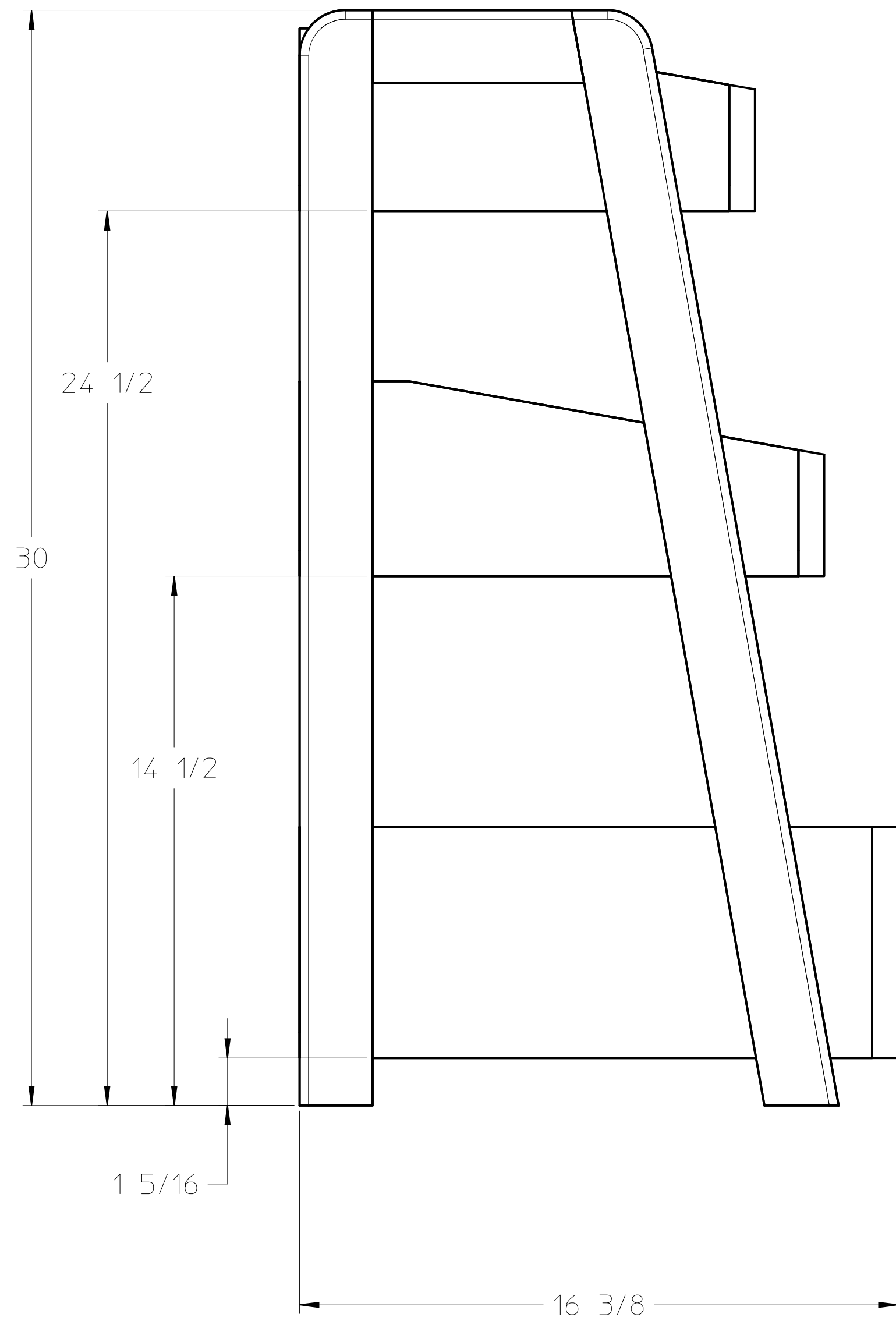
<b>[A1] Radiata Pine (UV Coated): 3/4" x 48" x 96"</b>				Bin:	
[ ] 1 of 1 this	Qty this diag.: 1	Grain: Horizontal	Stock Trim: 0"::0"	Standard	
size Kerf: 1/8"			1.9%	Final	

Cut Dimensions



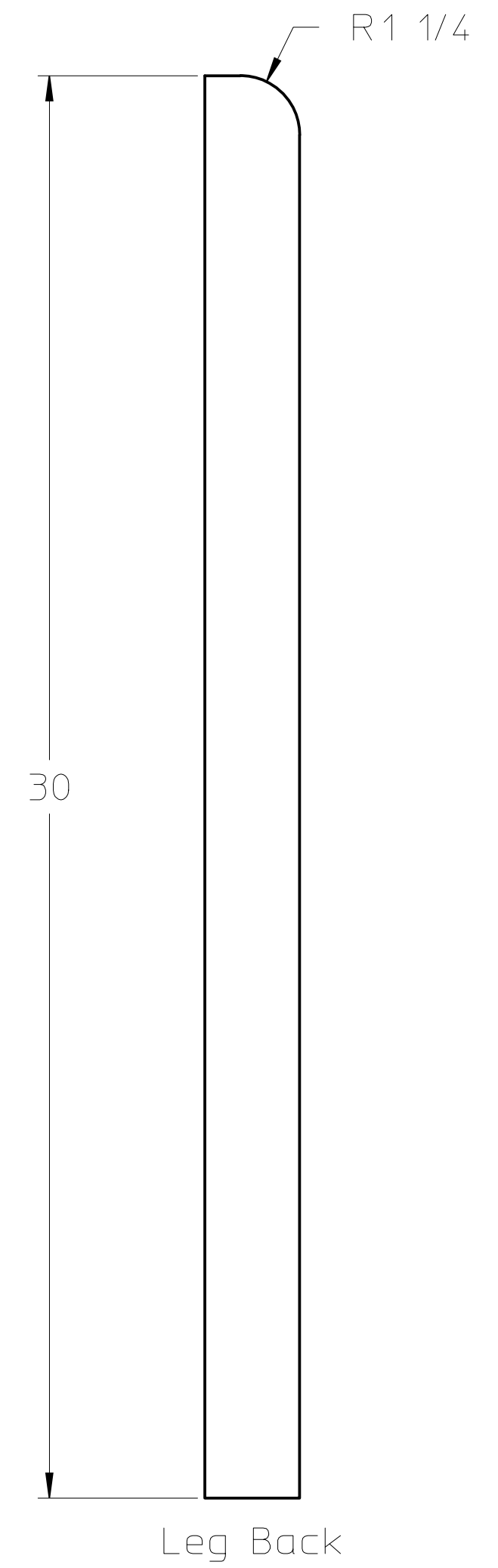
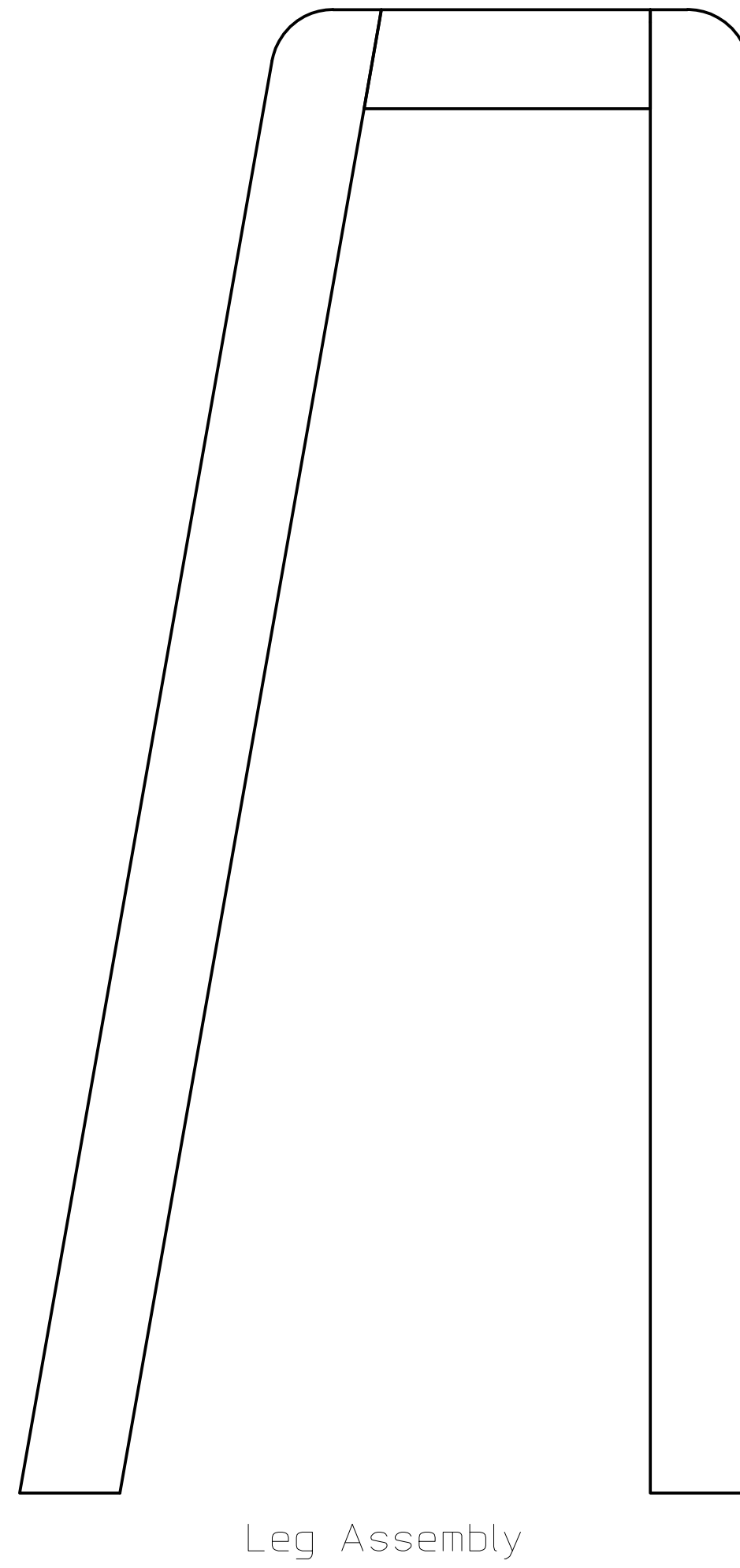
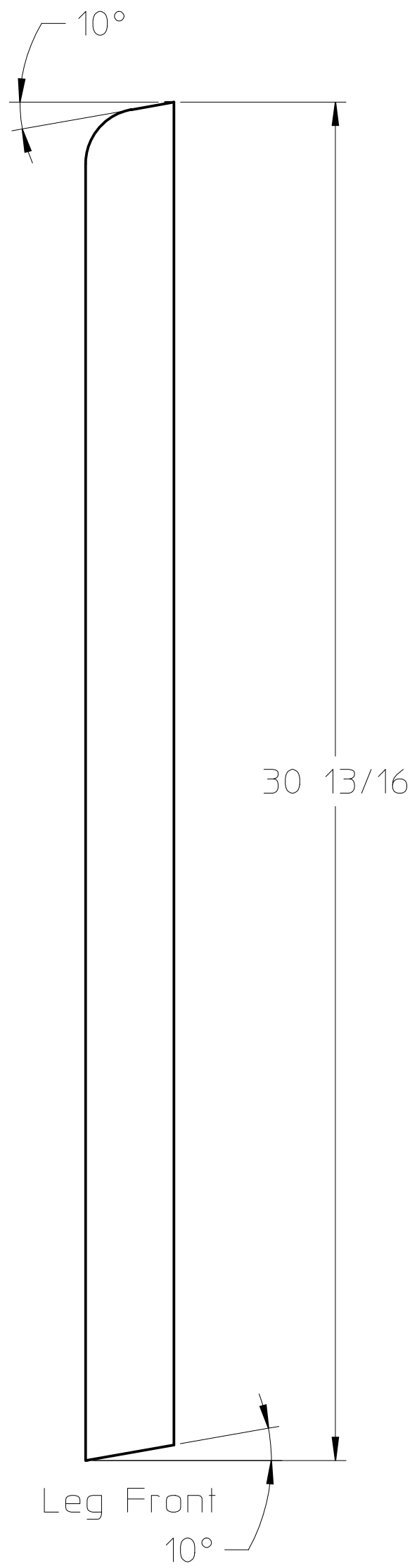
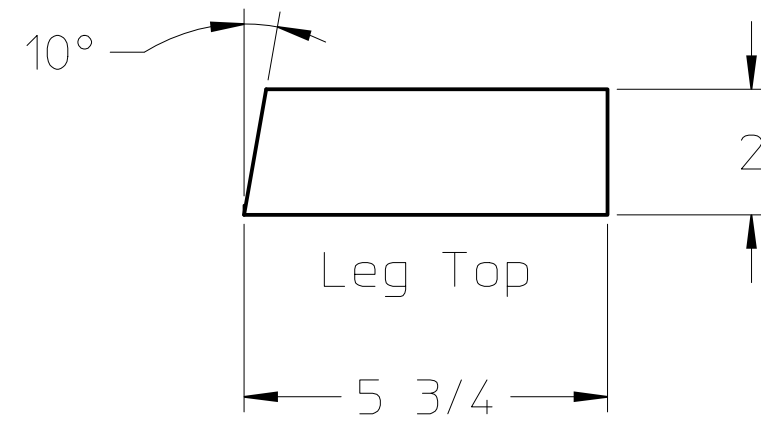
<b>[B1] Pine (Select): 5/4 x 6" (nom.) x 96"</b>				Bin:	
[ ] 1 of 1 this size	Qty this diag.: 1	Grain: Horizontal	Stock Trim: 0"::0"	Standard Layout	
Kerf: 1/8"			Final Cut Dimensions		





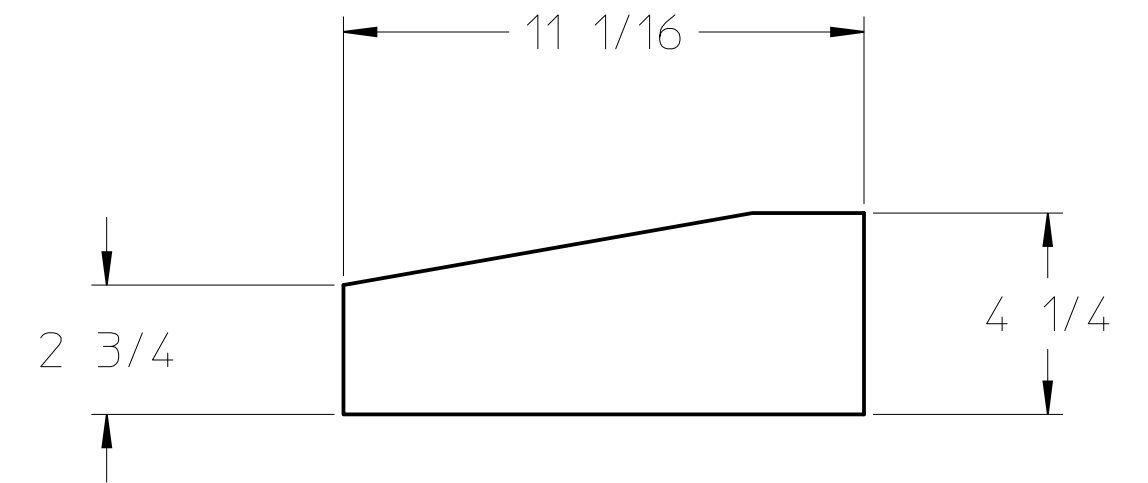


So much more awesome DIY at [www.RealityDaydream.com](http://www.RealityDaydream.com)

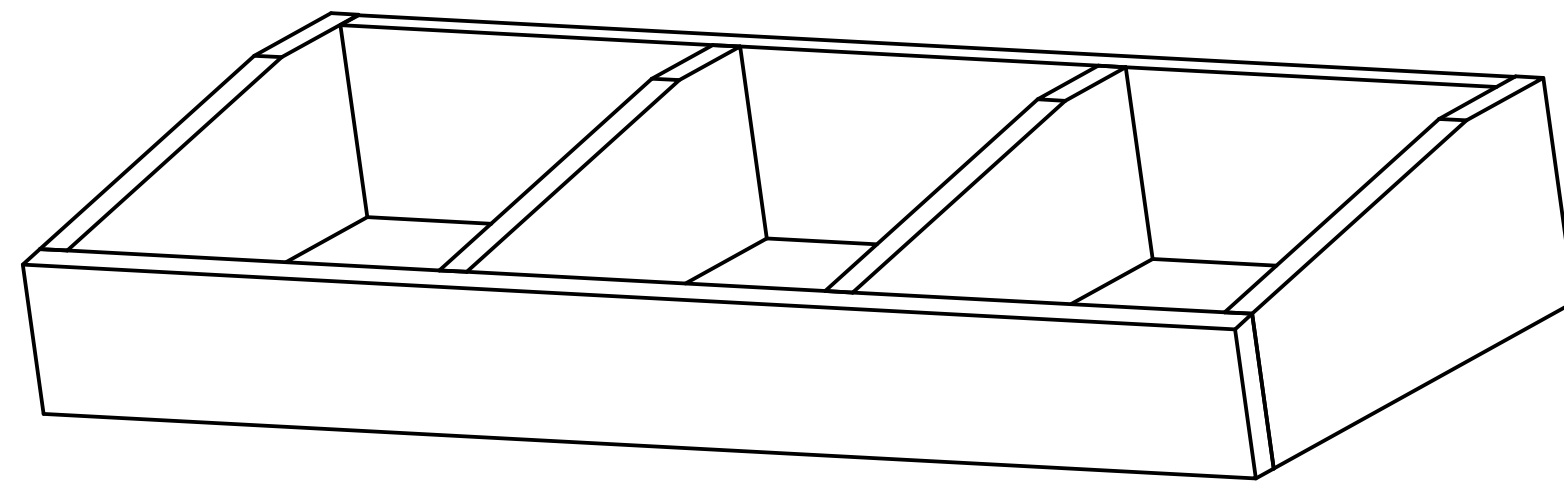




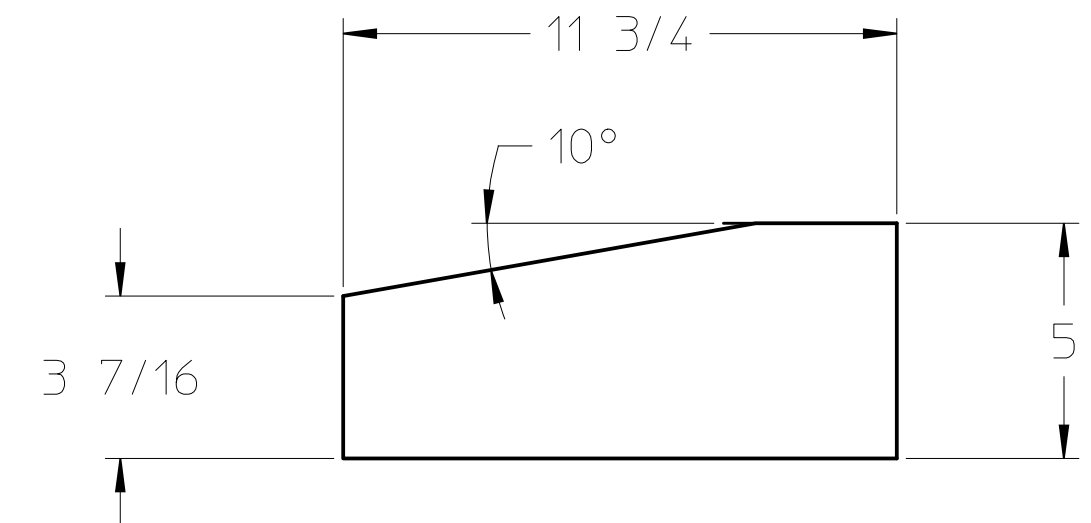
Shelf Back



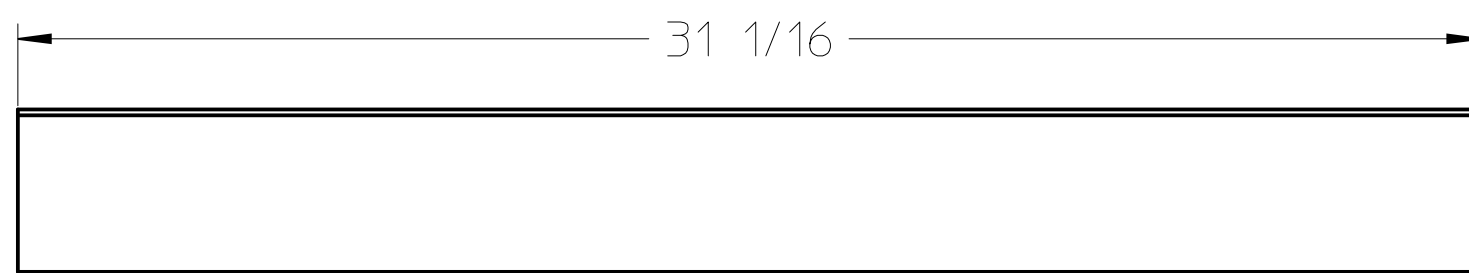
Shelf Divider (Qty 2)



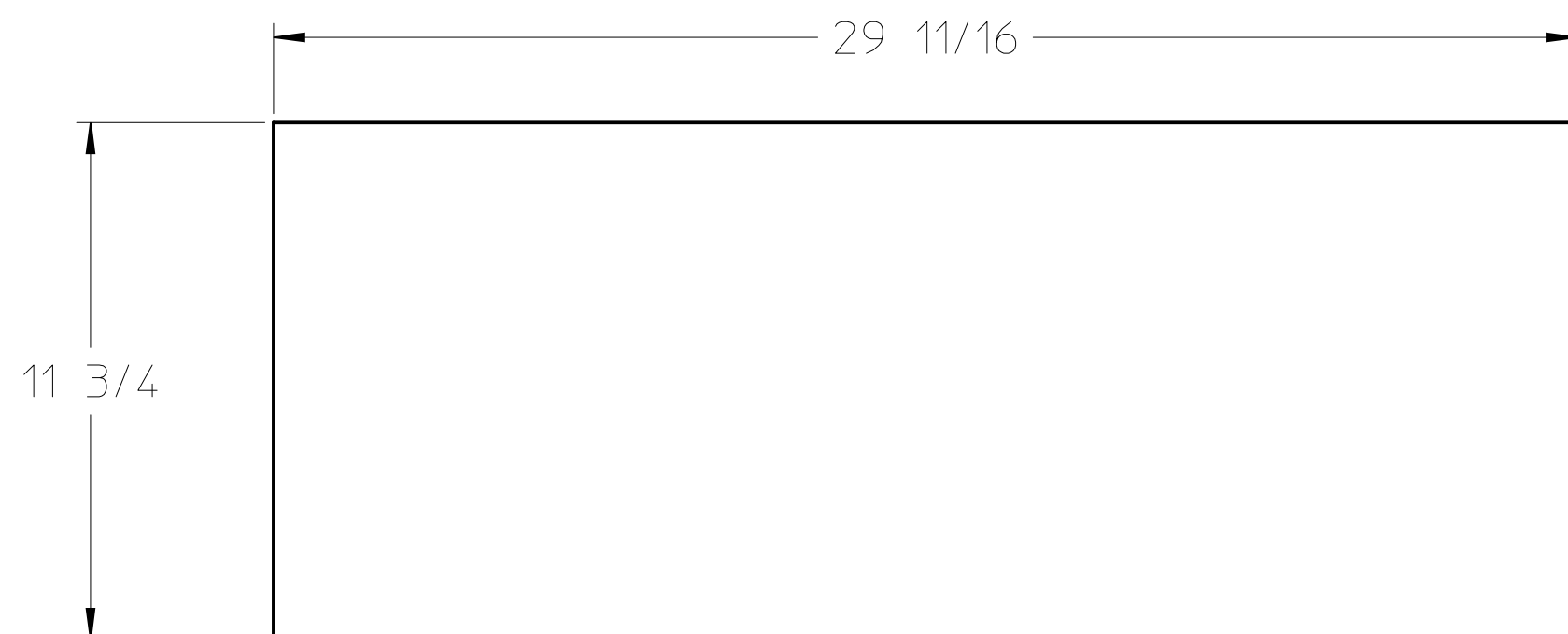
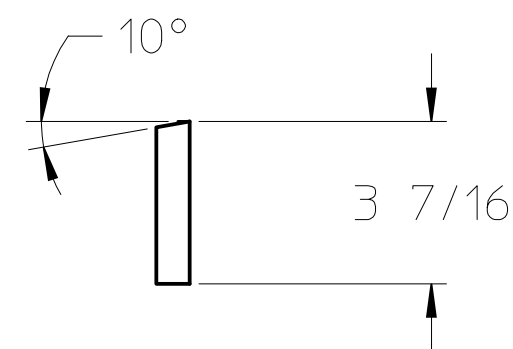
Top Shelf Assembly



Shelf Sides (Qty 2)



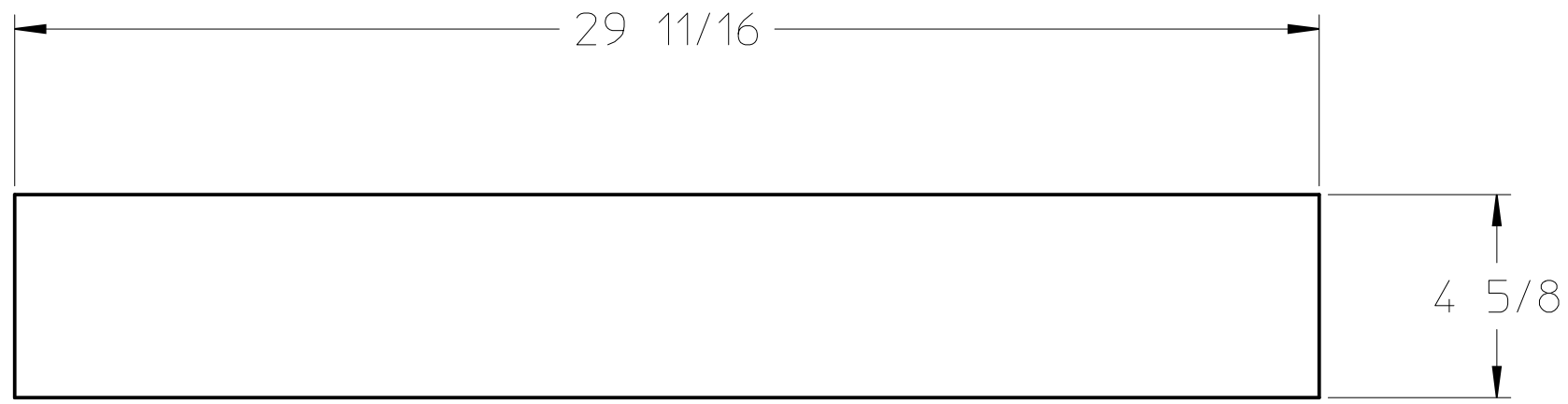
Shelf Front



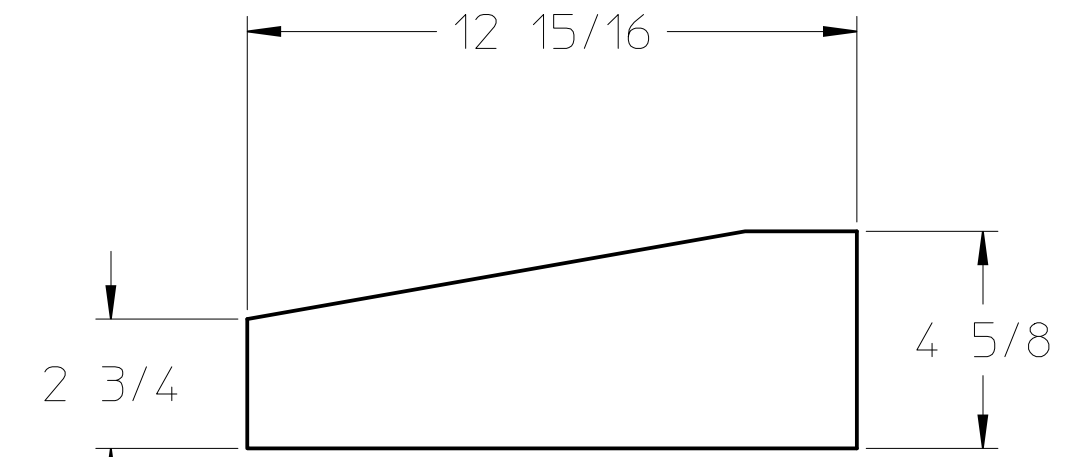
Shelf Bottom



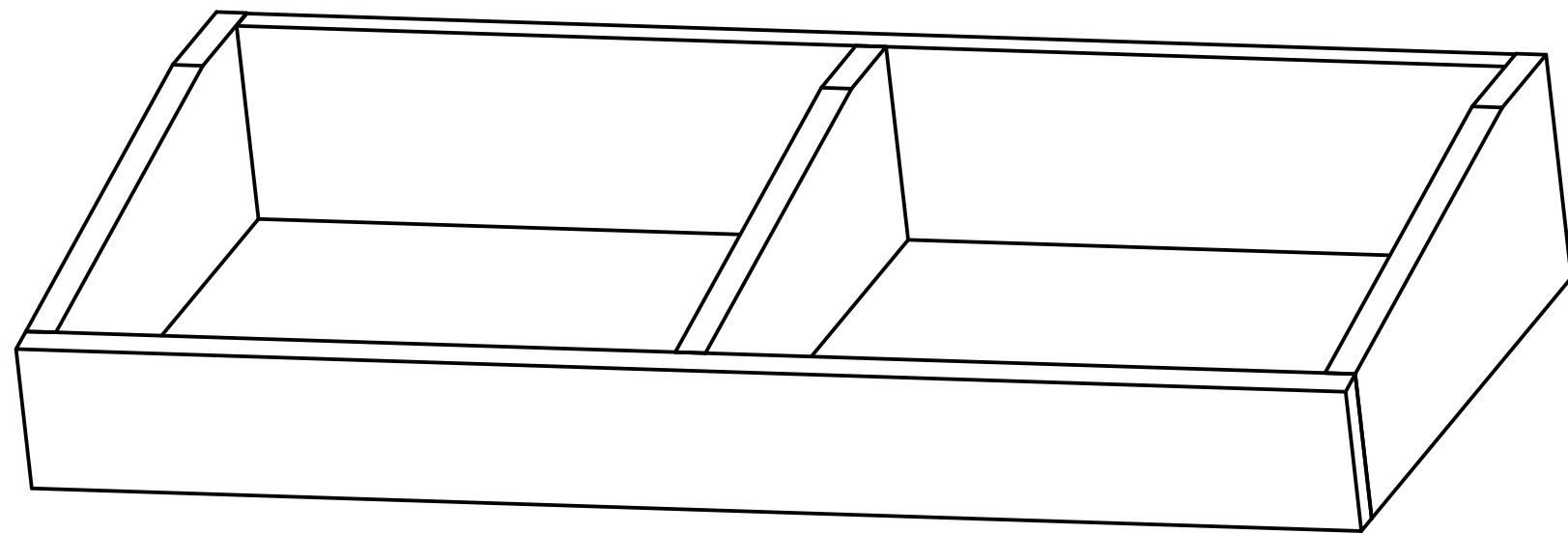
So much more awesome DIY at  
[www.RealityDaydream.com](http://www.RealityDaydream.com)



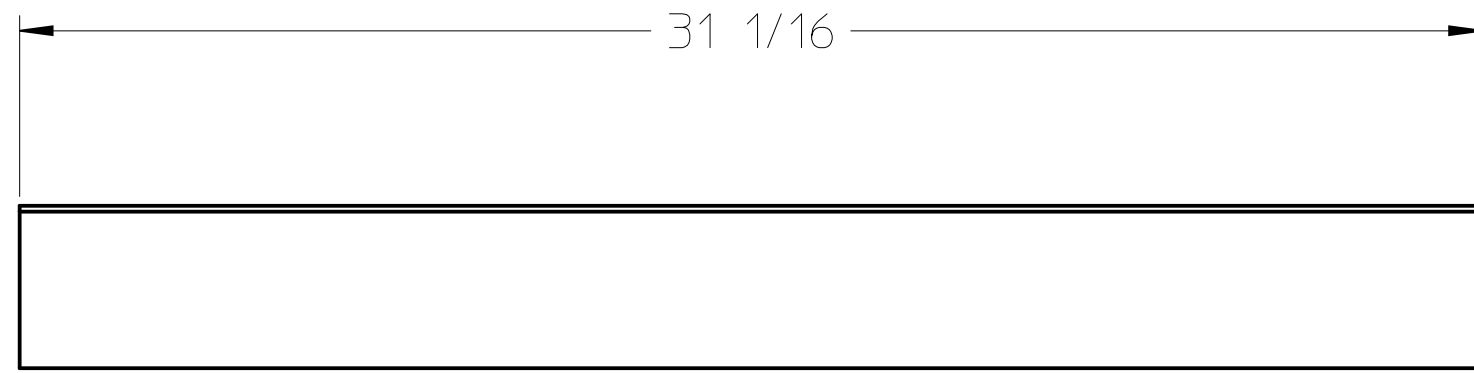
Shelf Back



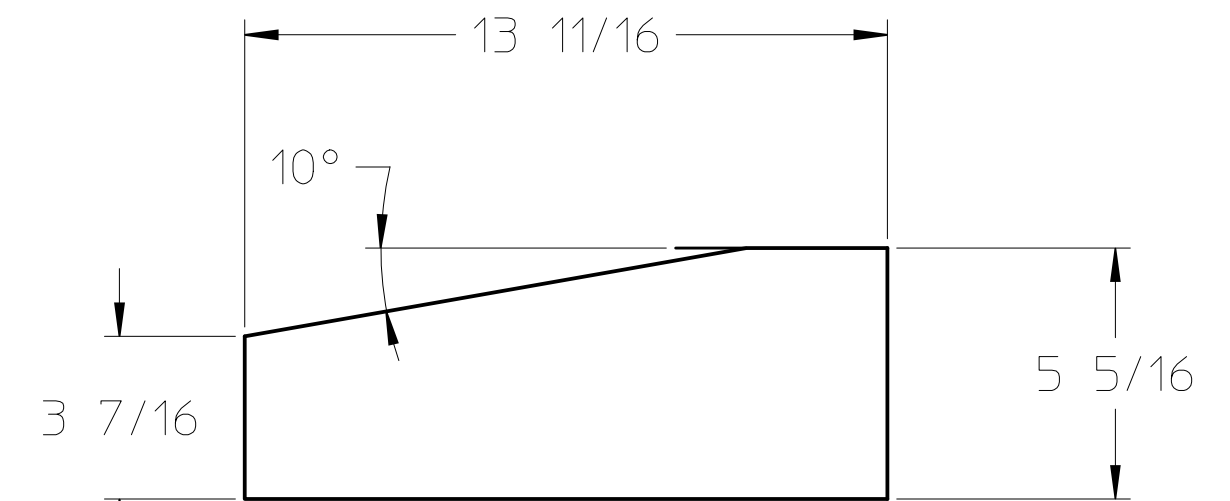
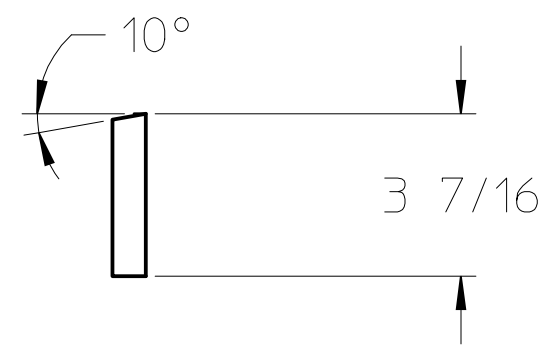
Shelf Divider



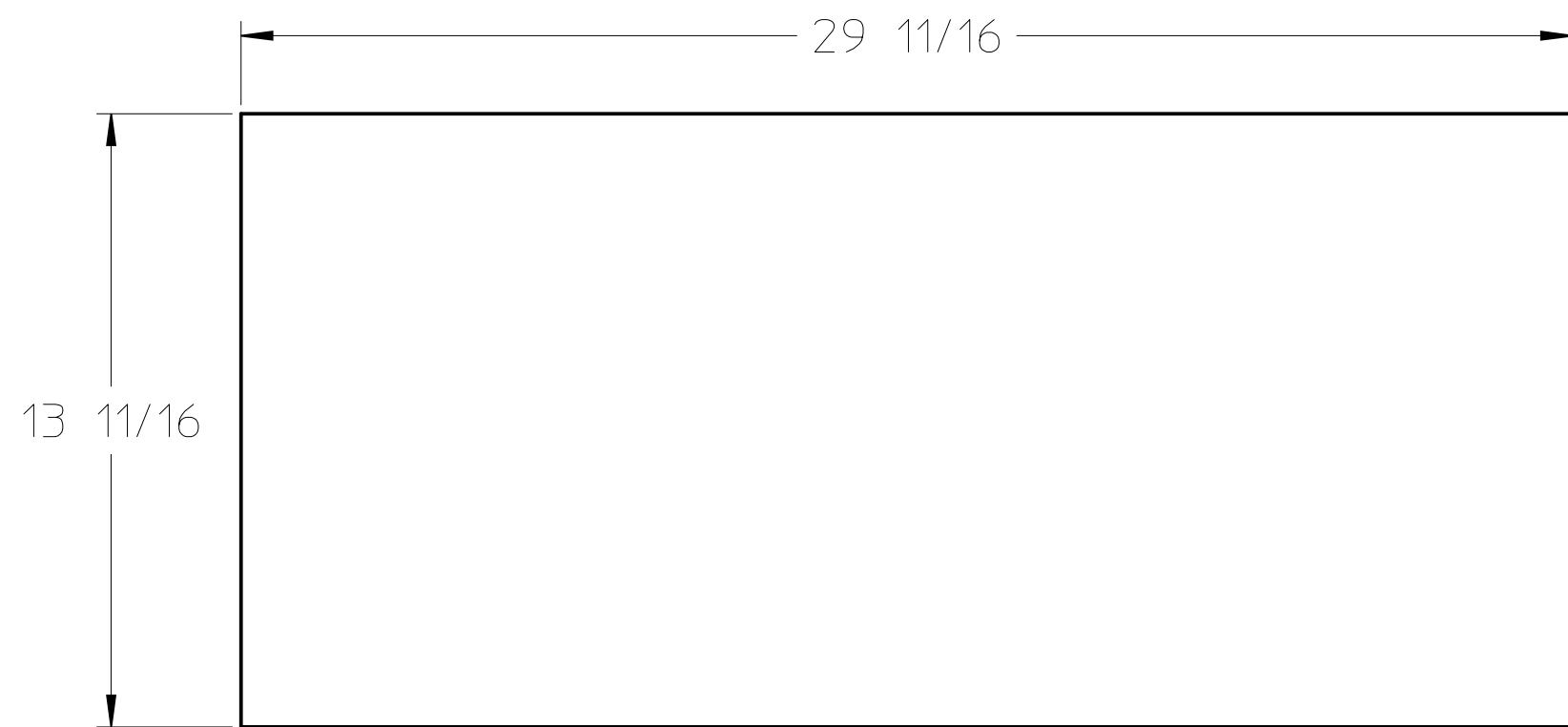
Middle Shelf  
Assembly



Shelf Front



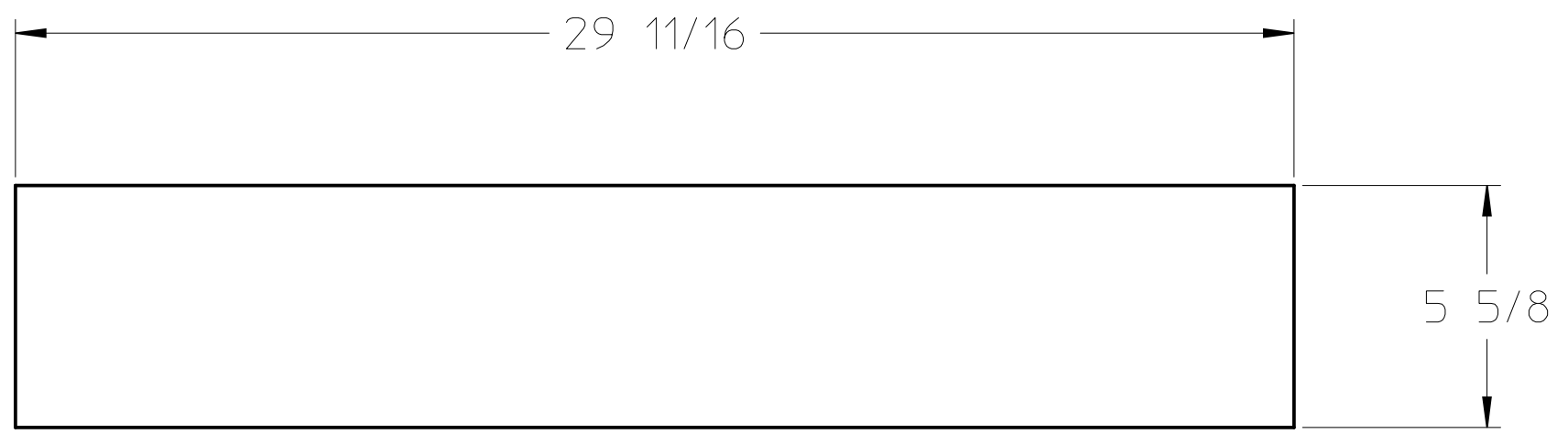
Shelf Side (Qty 2)



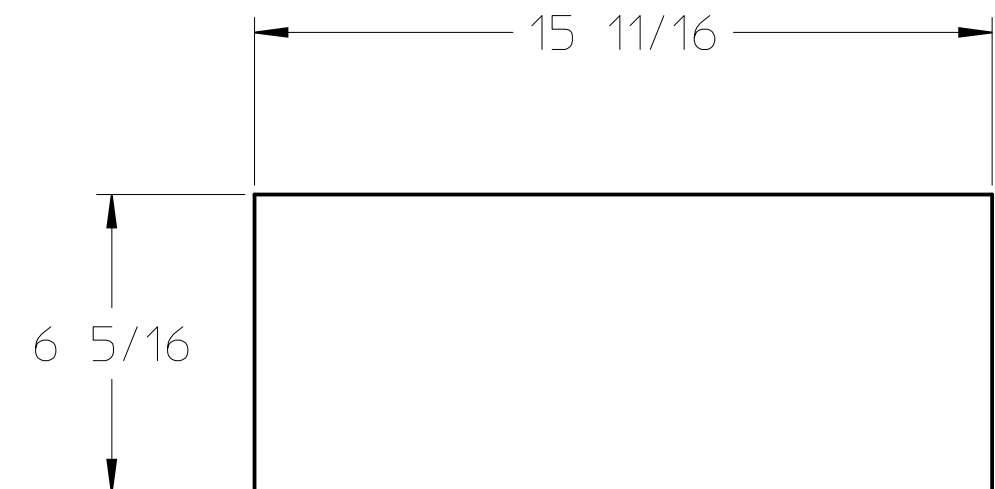
Shelf Bottom



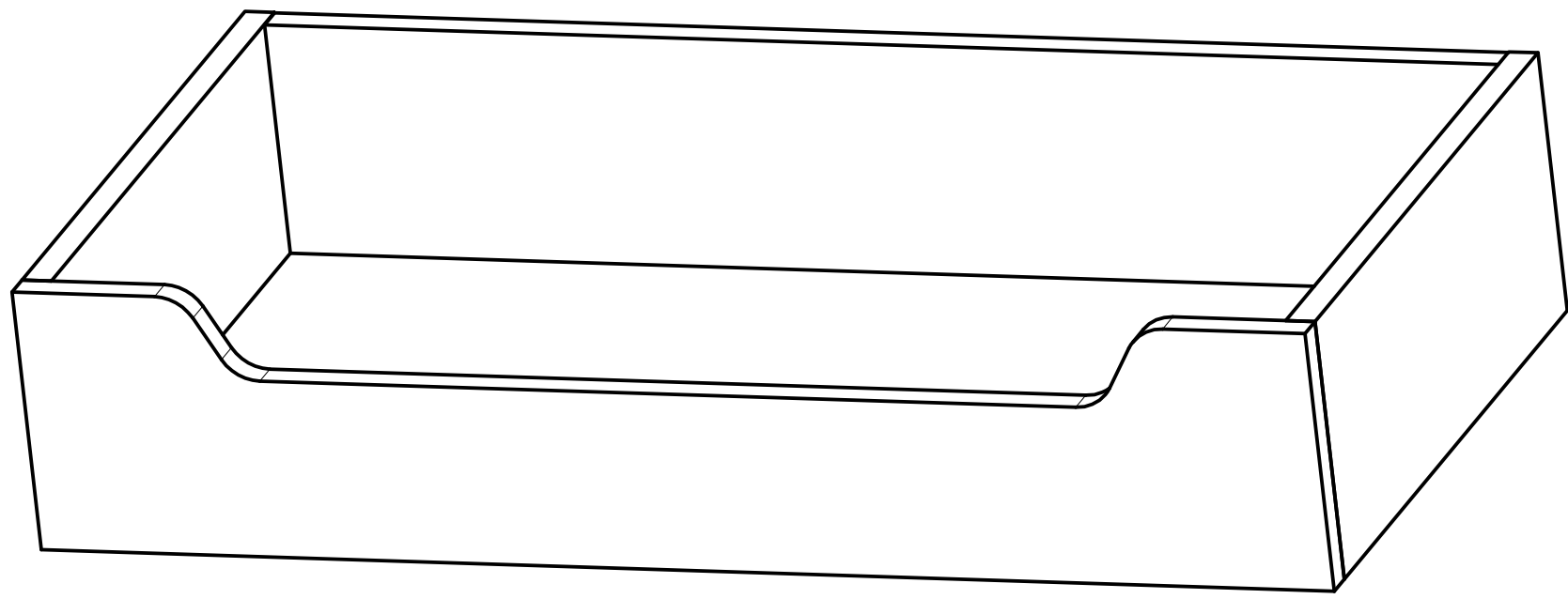
So much more awesome DIY at  
[www.RealityDaydream.com](http://www.RealityDaydream.com)



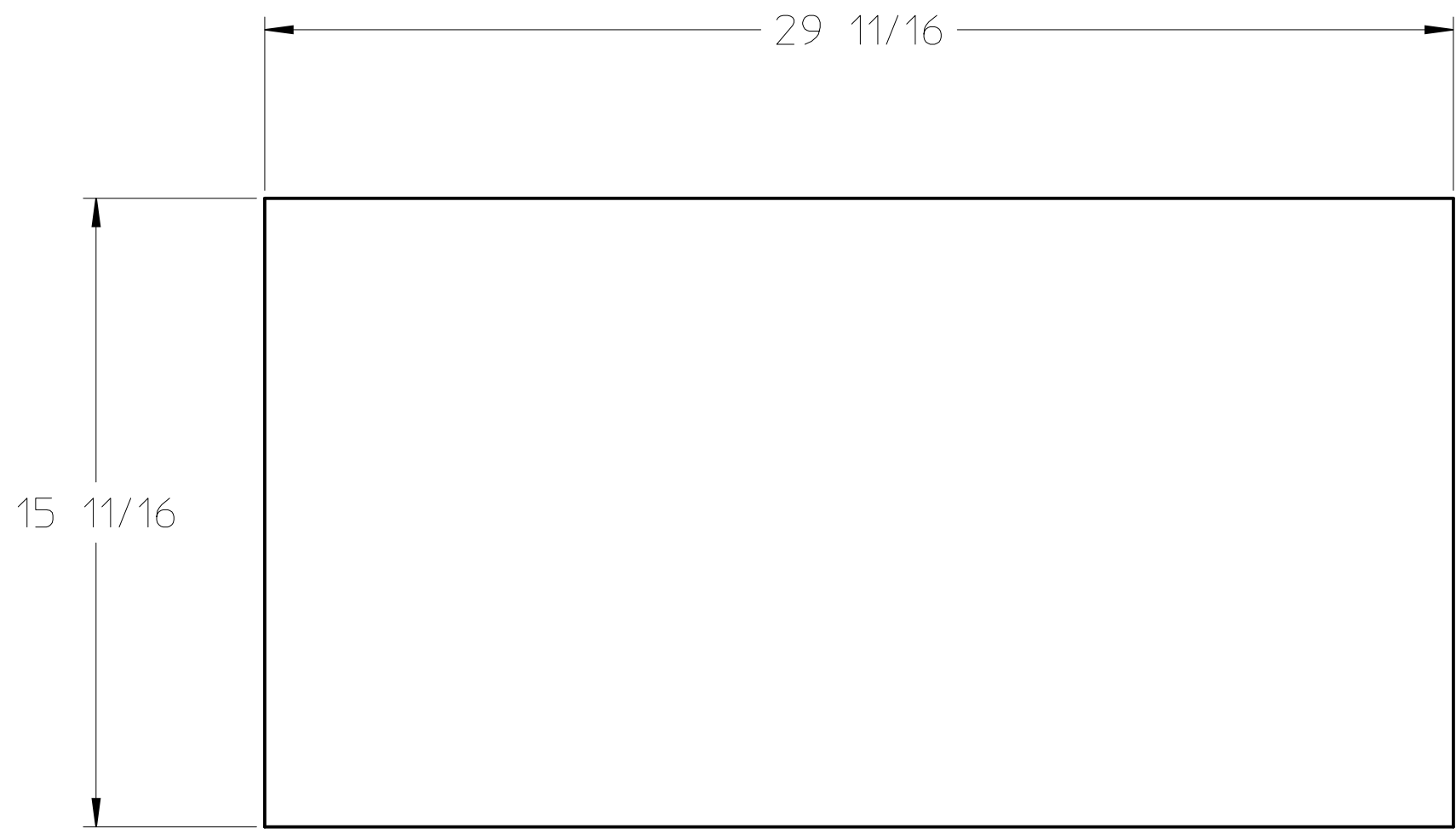
Shelf Back



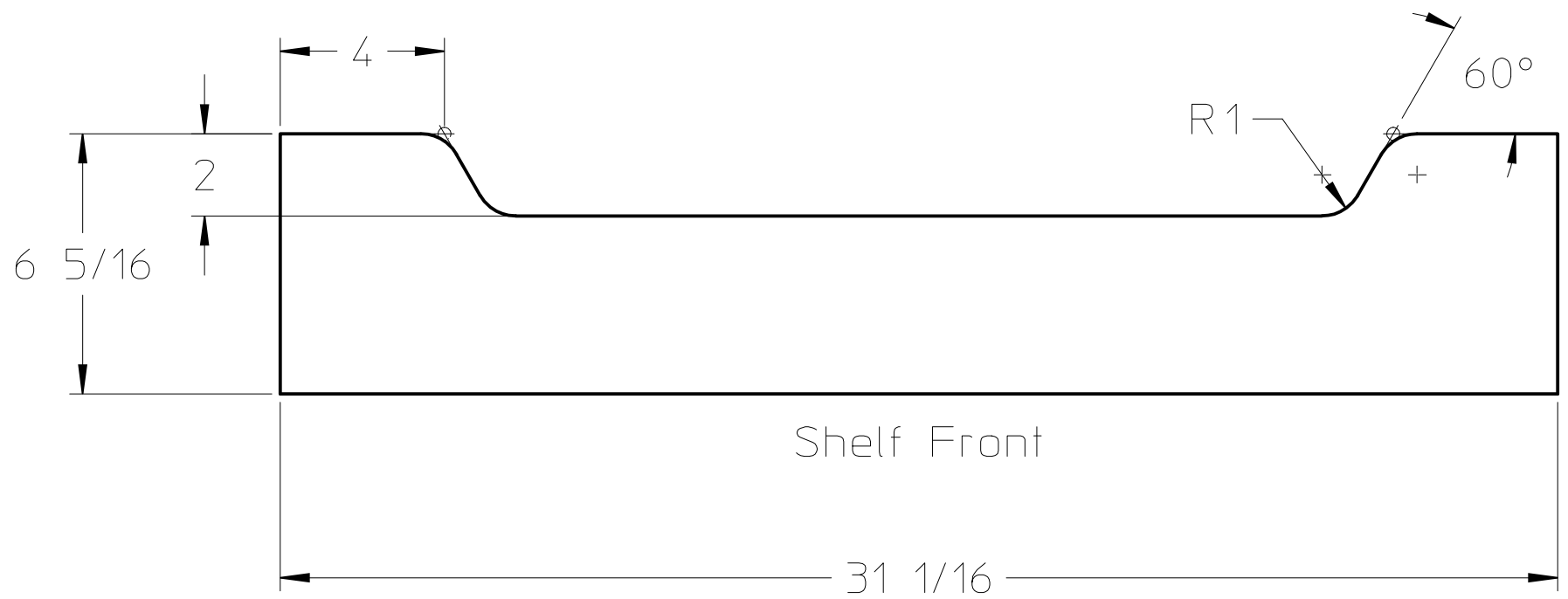
Shelf Side (Qty 2)



Bottom Shelf Assembly



Shelf Bottom



Shelf Front

31 1/16



# Project Cover Page

Project Name			
<b>Children's Three-Tiered Shelf</b>			
Primary Material		Secondary Material	
Type Name	<b>Sheet Good Pine Radiata (Uv Coated)</b>	Type Name	<b>Dimension Lumber 5/4 x 6" x 96" Select Pine</b>
Project default banding material			
Primary	<b>Not Specified</b>	Secondary	<b>Not Specified</b>
B.O.M. Rounding Method		Layout Diagram Settings	
<b>Round up costs to the next whole board or sheet</b>		<b>Layouts are drawn to scale</b>	
Optimization Settings			
Primary Objective		<b>Minimize total cost.</b>	

### Notes



**So much more awesome DIY at**  
[www.RealityDaydream.com](http://www.RealityDaydream.com)



## Bill of Materials

### Cost Summary

Item	Amount
Rough Lumber	\$0.00
Dimensioned Lumber	\$19.19
Sheet Goods	\$44.99
Edge Banding	\$0.00
Other Items	\$39.95
Labor Costs (0.0 hours)	\$0.00
Project Total	\$104.13



So much more awesome DIY at  
[www.RealityDaydream.com](http://www.RealityDaydream.com)

### Dimensioned Lumber

[x]	Material Name	Nominal Size	Actual Width	Nom. Width	Length	Unit Cost	Units	Quantity	From Inv.	To Buy	Total Cost	Vendor	Bin
[ ]	Pine (Select)	5/4	5 1/2"	6"	96"	\$19.19	Boards	1	1	0	\$19.19	Menards	

### Sheet Goods

[x]	Material Name	Thick	Width	Length	Unit Cost	Units	Quantity	From Inv.	To Buy	Total Cost	Vendor	Bin
[ ]	Radiata Pine (UV Coated)	3/4"	48"	96"	\$44.99	Sheets	1	1	0	\$44.99	Menards	

### Other Items

[x]	Category	Item	Unit Cost	Units	Quantity	Total Cost	Vendor	Bin
[ ]	Finishing Supplies	Wood filler (Minwax 2-part)	\$12.99	Pint	1.00	\$12.99	Menards	
[ ]	Finishing Supplies	Spray Paint	\$2.66	Each	2.00	\$5.32	Menards	
[ ]	Joinery	Pocket screws (Course)	\$9.49	Box	2.00	\$18.98	Menards	
[ ]	Joinery	Dowel 3/8 (Poplar)	\$2.66	Bag	1.00	\$2.66	Menards	



## Parts List

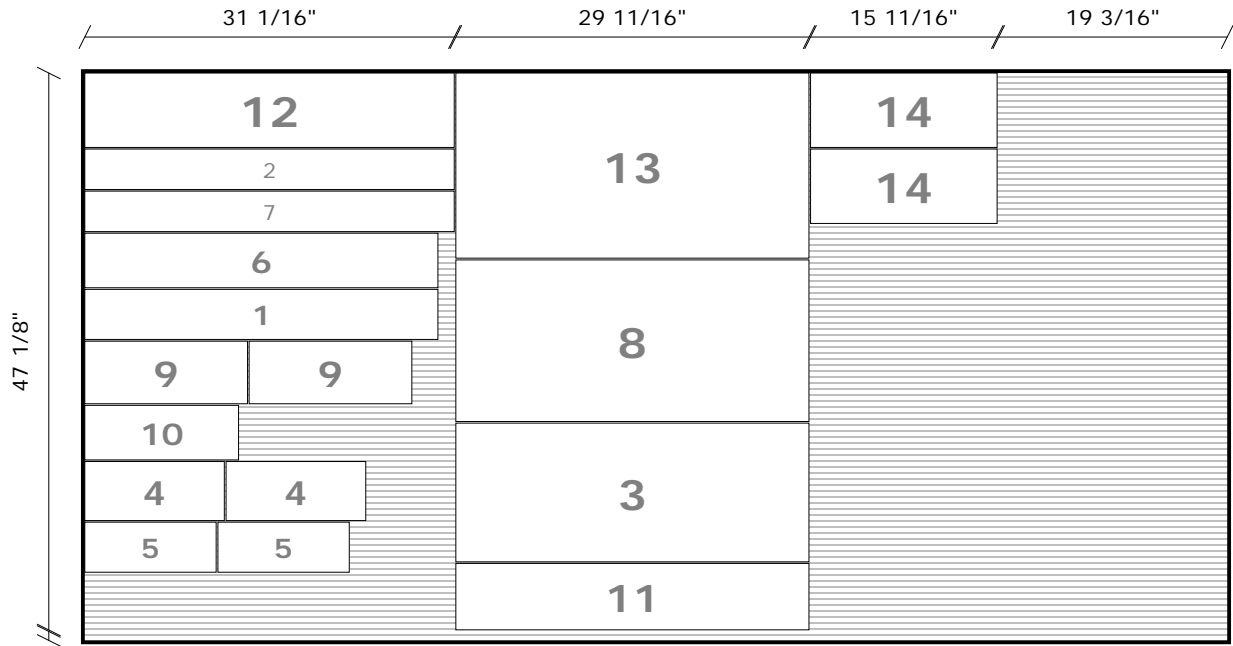
[x]	Part #	Sub-Assembly	Description	Copies	# Cut	Thick	Width	Length	Material Type	Material Name	Bandi ng	< Inf o>	Diagr am #s
[ ]	1		Top Shelf, Back	1	0	3/4"	4 1/4"	29 11/16"	Sheet Good	Radiata Pine (UV Coated)	None		A1
[ ]	2		Top Shelf, Front	1	0	3/4"	3 7/16"	31 1/16"	Sheet Good	Radiata Pine (UV Coated)	None		A1
[ ]	3		Top Shelf, Bottom	1	0	3/4"	11 3/4"	29 11/16"	Sheet Good	Radiata Pine (UV Coated)	None		A1
[ ]	4		Top Shelf, Side	2	0	3/4"	5"	11 3/4"	Sheet Good	Radiata Pine (UV Coated)	None		A1
[ ]	5		Top Shelf, Divider	2	0	3/4"	4 1/4"	11 1/16"	Sheet Good	Radiata Pine (UV Coated)	None		A1
[ ]	6		Middle Shelf, Back	1	0	3/4"	4 5/8"	29 11/16"	Sheet Good	Radiata Pine (UV Coated)	None		A1
[ ]	7		Middle Shelf, Front	1	0	3/4"	3 7/16"	31 1/16"	Sheet Good	Radiata Pine (UV Coated)	None		A1
[ ]	8		Middle Shelf, Bottom	1	0	3/4"	13 11/16"	29 11/16"	Sheet Good	Radiata Pine (UV Coated)	None		A1
[ ]	9		Middle Shelf, Side	2	0	3/4"	5 5/16"	13 11/16"	Sheet Good	Radiata Pine (UV Coated)	None		A1
[ ]	10		Middle Shelf, Divider	1	0	3/4"	4 5/8"	12 15/16"	Sheet Good	Radiata Pine (UV Coated)	None		A1
[ ]	11		Bottom Shelf, Back	1	0	3/4"	5 5/8"	29 11/16"	Sheet Good	Radiata Pine (UV Coated)	None		A1
[ ]	12		Bottom Shelf, Front	1	0	3/4"	6 5/16"	31 1/16"	Sheet Good	Radiata Pine (UV Coated)	None		A1
[ ]	13		Bottom Shelf, Bottom	1	0	3/4"	15 11/16"	29 11/16"	Sheet Good	Radiata Pine (UV Coated)	None		A1
[ ]	14		Bottom Shelf, Side	2	0	3/4"	6 5/16"	15 11/16"	Sheet Good	Radiata Pine (UV Coated)	None		A1
[ ]	15		Leg Front	2	0	1"	2"	30 13/16"	Dimensioned Lumber	Pine (Select)	N/A		B1
[ ]	16		Leg Back	2	0	1"	2"	30"	Dimensioned Lumber	Pine (Select)	N/A		B1
[ ]	17		Leg Top	2	0	1"	2"	5 3/4"	Dimensioned Lumber	Pine (Select)	N/A		B1

## Other Items

[x]	Item #	Sub-Assembly	Category	Item	Description	Quantity	Units	Bin	<Info>
[ ]	1		Joinery	Pocket screws (Course)	1 1/4 Course	1.00	Box		
[ ]	2		Joinery	Pocket screws (Course)		1.00	Box		
[ ]	3		Finishing Supplies	Wood filler (Minwax 2-part)		1.00	Pint		
[ ]	4		Finishing Supplies	Spray Paint		2.00	Each		
[ ]	5		Joinery	Dowel 3/8 (Poplar)		1.00	Bag		



**So much more awesome DIY at**  
[www.RealityDaydream.com](http://www.RealityDaydream.com)



**[A1] Radiata Pine (UV Coated): 3/4" x 48" x 96"**

Vendor: Menards Bin:

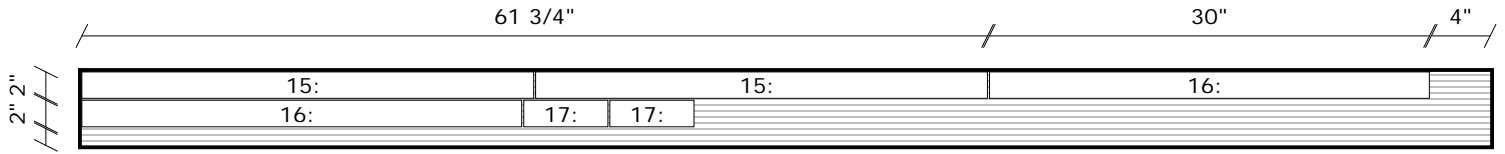
[ ] 1 of 1 this size	Qty this diag.: 1	Grain: Horizontal	Stock Trim: 0"::0"	Standard Layout
Kerf: 1/8"	Part Padding: 0"	Waste: 41.9%	Final Cut Dimensions	

Part #	Sub-Assembly	Description	Copies in Layout	Thick	Final Cut Y	Final Cut X	Rough Y	Rough X	Banding	<Info>
1		Top Shelf, Back	1	3/4"	4 1/4"	<b>29</b> <b>11/16"</b>	4 1/4"	<b>29</b> <b>11/16"</b>	None	
2		Top Shelf, Front	1	3/4"	3 7/16"	<b>31 1/16"</b>	3 7/16"	<b>31</b> <b>1/16"</b>	None	
3		Top Shelf, Bottom	1	3/4"	11 3/4"	<b>29</b> <b>11/16"</b>	11 3/4"	<b>29</b> <b>11/16"</b>	None	
4		Top Shelf, Side	2	3/4"	5"	<b>11 3/4"</b>	5"	<b>11 3/4"</b>	None	
5		Top Shelf, Divider	2	3/4"	4 1/4"	<b>11 1/16"</b>	4 1/4"	<b>11</b> <b>1/16"</b>	None	
6		Middle Shelf, Back	1	3/4"	4 5/8"	<b>29</b> <b>11/16"</b>	4 5/8"	<b>29</b> <b>11/16"</b>	None	
7		Middle Shelf, Front	1	3/4"	3 7/16"	<b>31 1/16"</b>	3 7/16"	<b>31</b> <b>1/16"</b>	None	
8		Middle Shelf, Bottom	1	3/4"	13 11/16"	<b>29</b> <b>11/16"</b>	13 11/16"	<b>29</b> <b>11/16"</b>	None	
9		Middle Shelf, Side	2	3/4"	5 5/16"	<b>13</b> <b>11/16"</b>	5 5/16"	<b>13</b> <b>11/16"</b>	None	
10		Middle Shelf, Divider	1	3/4"	4 5/8"	<b>12</b> <b>15/16"</b>	4 5/8"	<b>12</b> <b>15/16"</b>	None	

Part #	Sub-Assembly	Description	Copies in Layout	Thick	Final Cut Y	Final Cut X	Rough Y	Rough X	Banding	<Info>
11		Bottom Shelf, Back	1	3/4"	5 5/8"	<b>29</b> <b>11/16"</b>	5 5/8"	<b>29</b> <b>11/16"</b>	None	
12		Bottom Shelf, Front	1	3/4"	6 5/16"	<b>31 1/16"</b>	6 5/16"	<b>31</b> <b>1/16"</b>	None	
13		Bottom Shelf, Bottom	1	3/4"	15 11/16"	<b>29</b> <b>11/16"</b>	15 11/16"	<b>29</b> <b>11/16"</b>	None	
14		Bottom Shelf, Side	2	3/4"	6 5/16"	<b>15</b> <b>11/16"</b>	6 5/16"	<b>15</b> <b>11/16"</b>	None	



So much more awesome DIY at  
[www.RealityDaydream.com](http://www.RealityDaydream.com)



**[B1] Pine (Select): 5/4 x 6" (nom.) x 96"**

Vendor: Menards Bin:

[ ] 1 of 1 this size Qty this diag.: 1 Grain: Horizontal Stock Trim: 0"::0" Standard Layout

Kerf: 1/8" Part Padding: 0" Waste: 49.6% Final Cut Dimensions

Part #	Sub-Assembly	Description	Copies in Layout	Thick	Final Cut Y	Final Cut X	Rough Y	Rough X	Banding	<Info>
15		Leg Front	2	1"	2"	<b>30 13/16"</b>	2"	<b>30 13/16"</b>	N/A	
16		Leg Back	2	1"	2"	<b>30"</b>	2"	<b>30"</b>	N/A	
17		Leg Top	2	1"	2"	<b>5 3/4"</b>	2"	<b>5 3/4"</b>	N/A	



**So much more awesome DIY at**  
[www.RealityDaydream.com](http://www.RealityDaydream.com)

# Project Statistics

## Parts Summary

Material Type	Total Qty	Skipped Qty	Total Finished Area	Total Finished Perimeter
Dimensioned Lumber	6	0	1.85 ft <sup>2</sup>	24.19 ft
Sheet Goods	18	0	18.58 ft <sup>2</sup>	83.97 ft
<b>Project Total</b>	<b>24</b>	<b>0</b>	<b>20.43 ft<sup>2</sup></b>	<b>108.16 ft</b>

## Material Details

Material Name and Size	Waste	Parts Rough Area	Total Cuts	Cut Length	Parts Rough Perimeter	Lineal Stock
<b>Dimensioned Lumber</b>						
<b>Pine (Select)</b>						
5/4 x 6" (nom.) x 96"	49.6%	1.85 ft <sup>2</sup>	8	17.00 ft	24.19 ft	8.00 ft
<b>Total</b>	<b>49.6%</b>	<b>1.85 ft<sup>2</sup></b>	<b>8</b>	<b>17.00 ft</b>	<b>24.19 ft</b>	<b>8.00 ft</b>
<b>Sheet Goods</b>						
<b>Radiata Pine (UV Coated)</b>						
3/4" x 48" x 96"	41.9%	18.58 ft <sup>2</sup>	27	51.36 ft	83.97 ft	8.00 ft
<b>Total</b>	<b>41.9%</b>	<b>18.58 ft<sup>2</sup></b>	<b>27</b>	<b>51.36 ft</b>	<b>83.97 ft</b>	<b>8.00 ft</b>
<b>Project Total</b>	<b>42.7%</b>	<b>20.43 ft<sup>2</sup></b>	<b>35</b>	<b>68.36 ft</b>	<b>108.16 ft</b>	<b>16.00 ft</b>



So much more awesome DIY at  
[www.RealityDaydream.com](http://www.RealityDaydream.com)