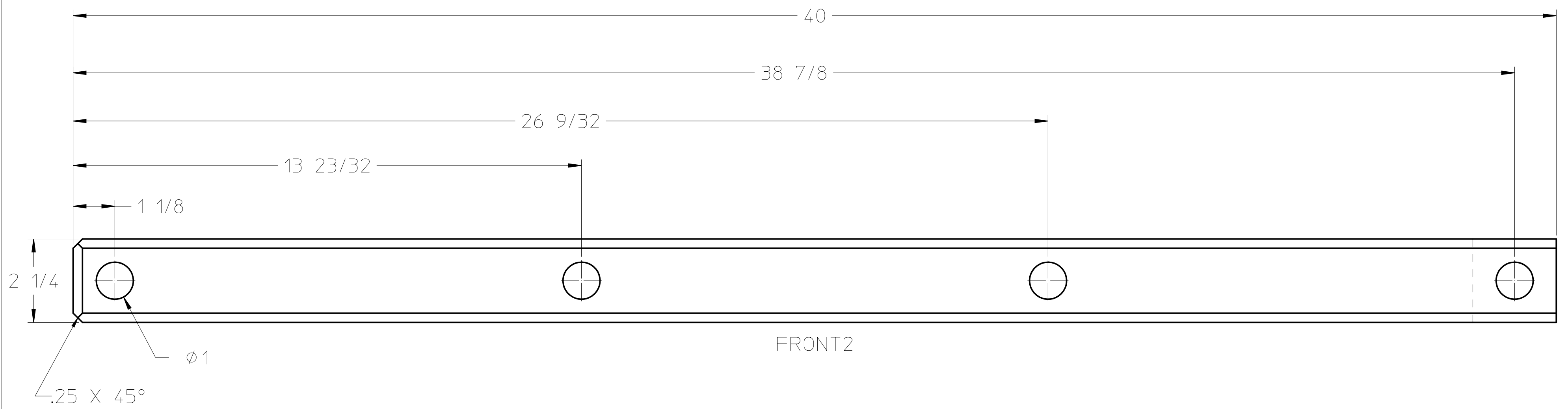
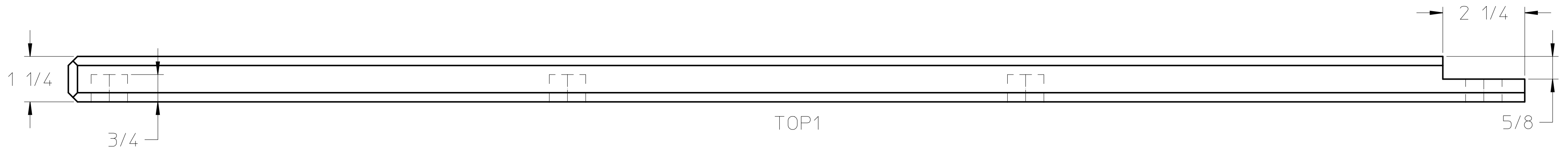
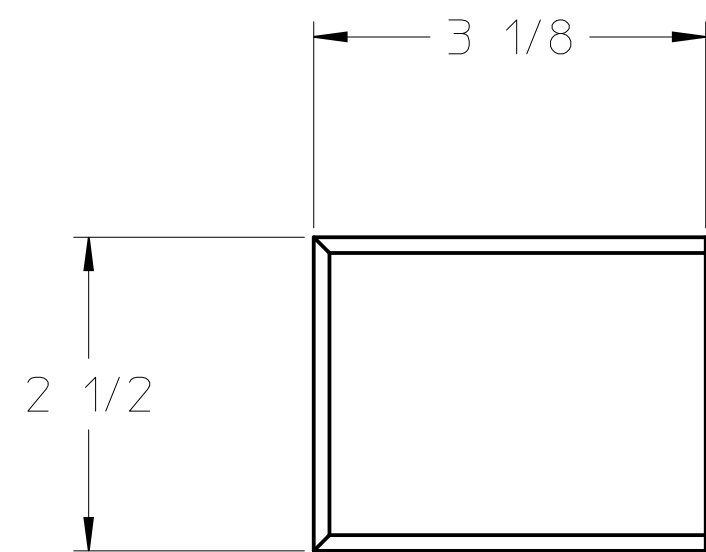
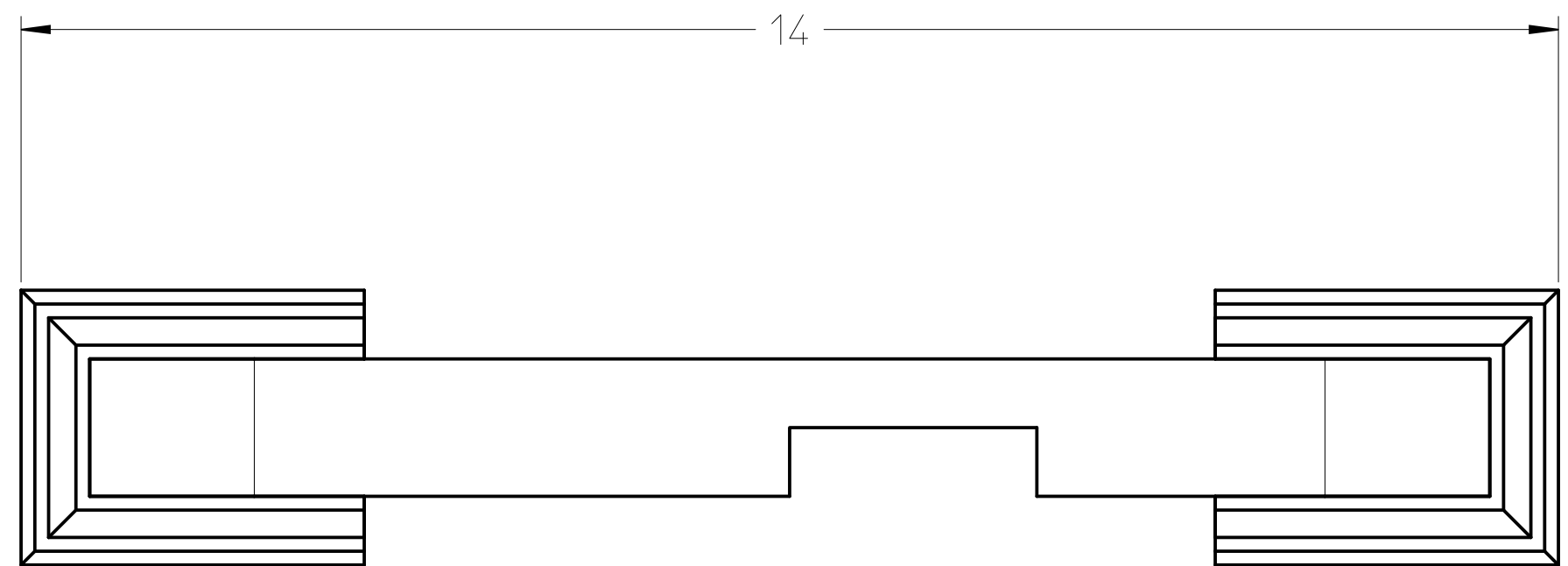


So much more awesome DIY at
www.RealityDaydream.com

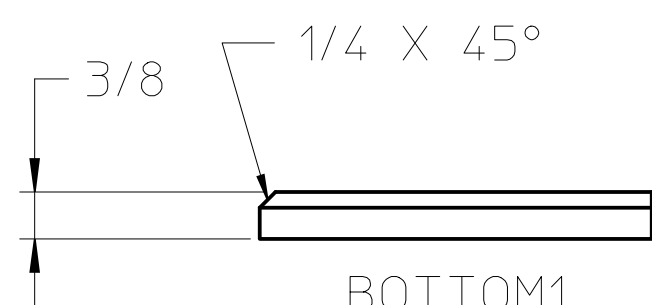




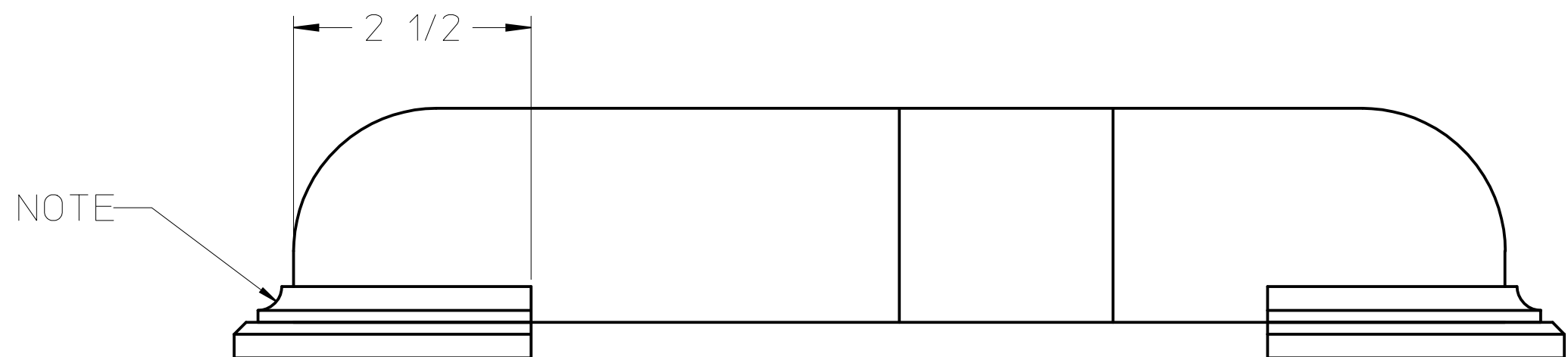
FRONT5



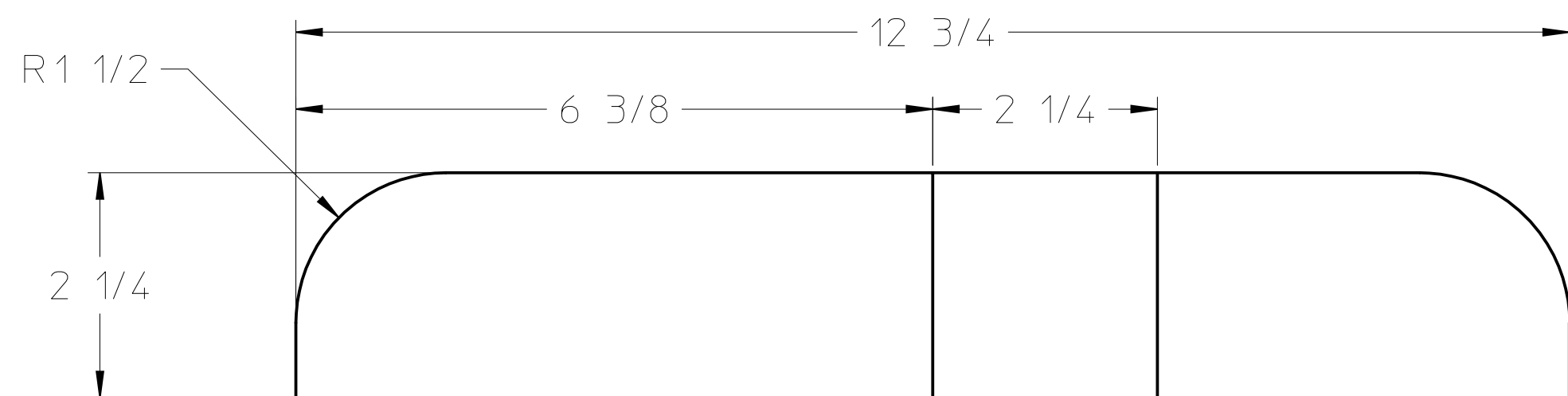
TOP2



BOTTOM1



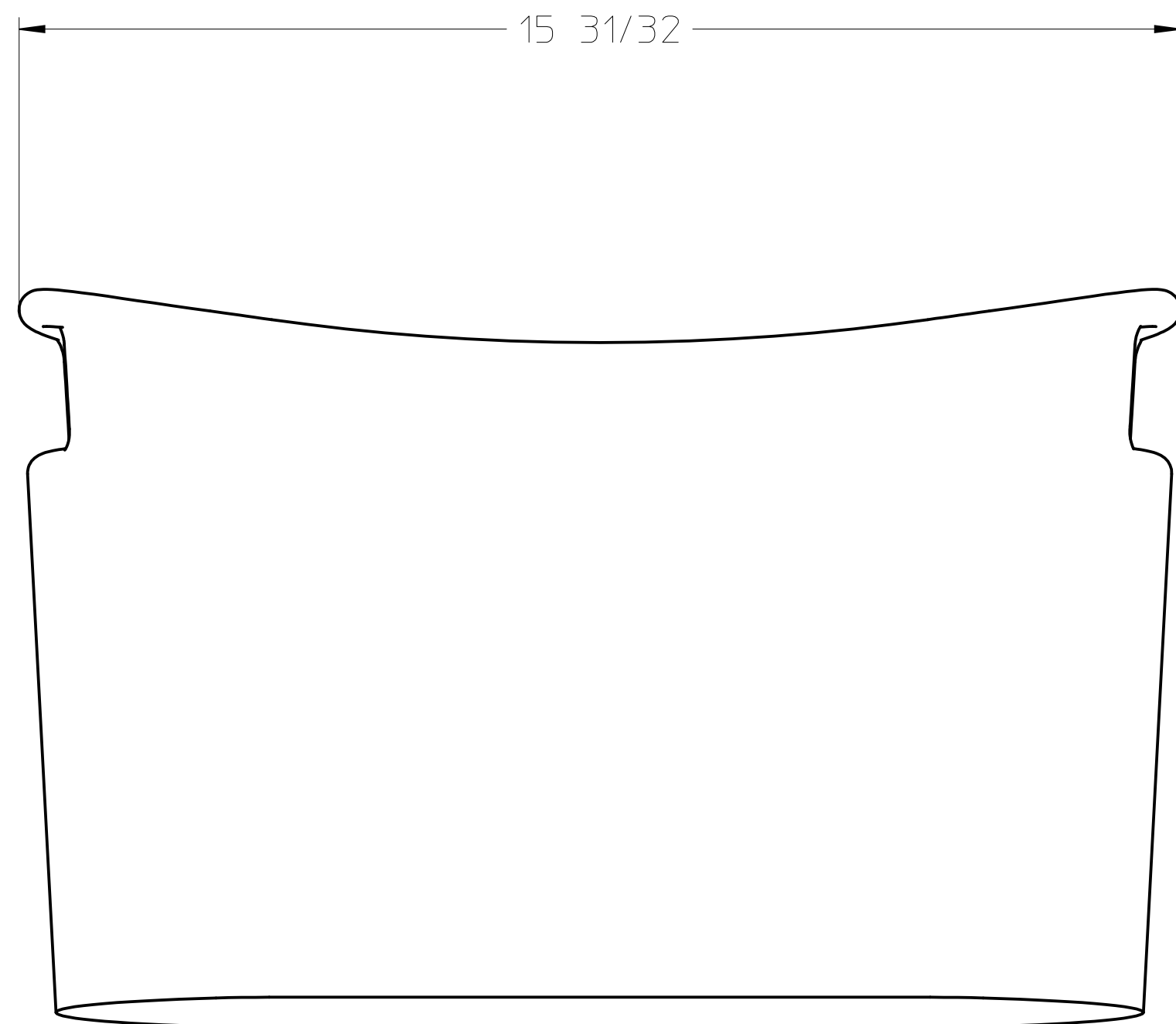
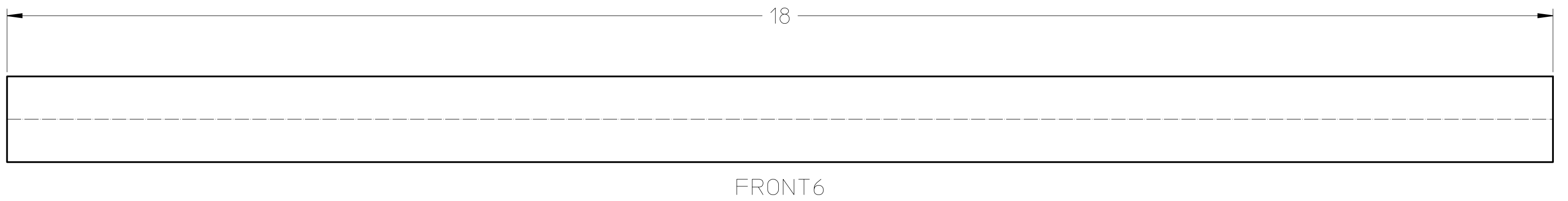
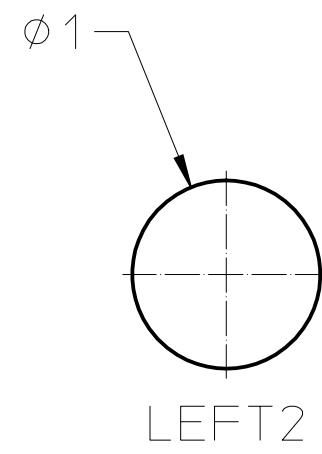
FRONT3



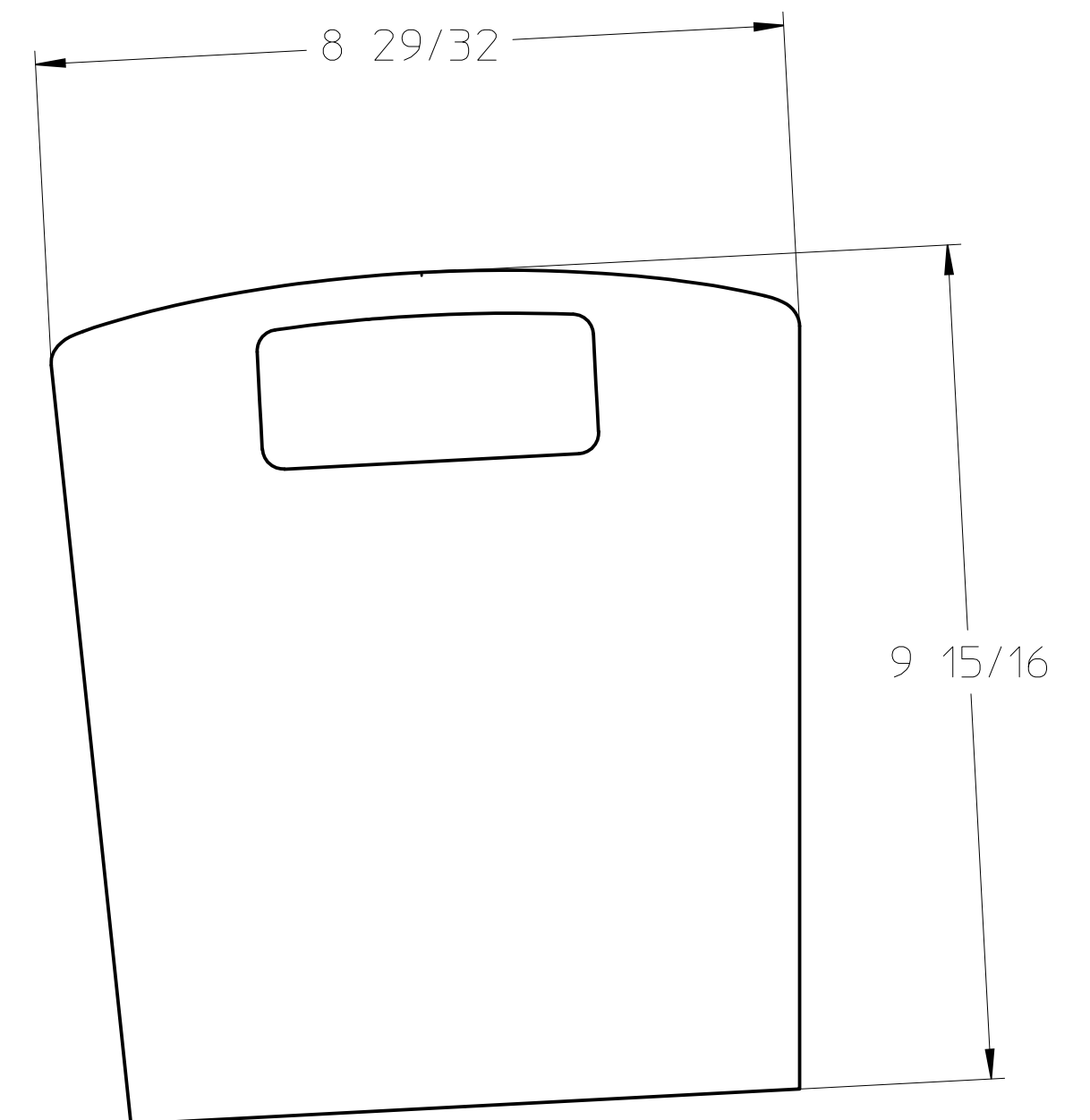
FRONT4

NOTE:
TRIM IS 3/8" SQUARE STOCK, ROUTED
WITH A 1/4 COVE ROUTER BIT





SCALE 1:2



SCALE 1:2

